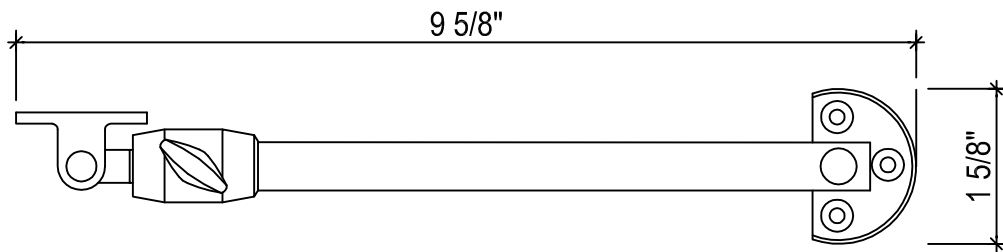


246 TELESCOPIC STAY

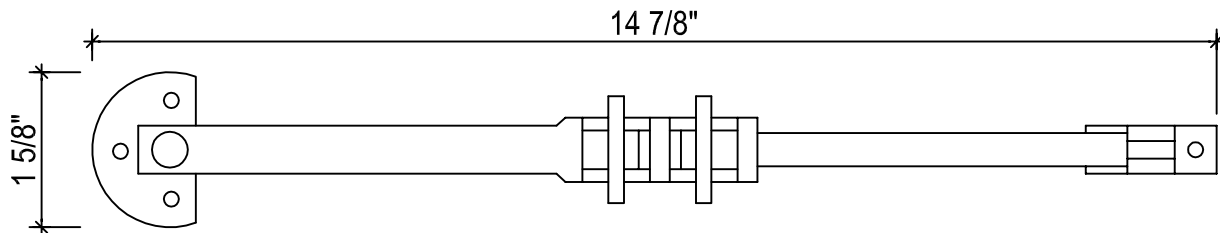
made from brass with 1/2" body & 3/8" brass rod.



Supplied with 3/4" x 7 brass screws.
 Size: 9 5/8" (245mm) - 15" (380mm) extended
 Finishes Available:
 Chrome, Brushed Satin, Bronze, Polished Brass.

264 WINDLOCK TELESCOPIC STAY

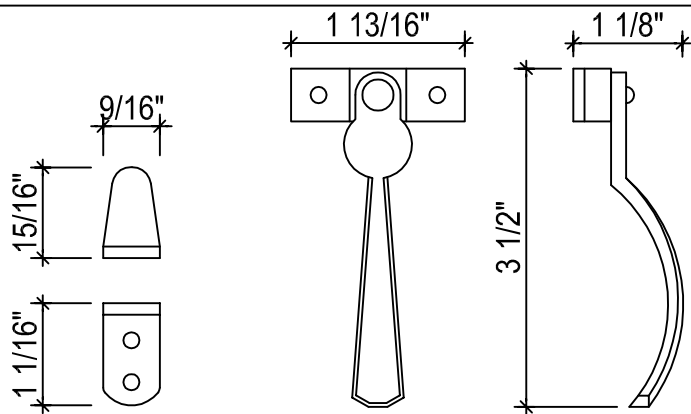
made from brass with 1/2" body & 3/8" brass rod.



Supplied with 3/4" x 7 brass screws.
 Size: 9 5/8" (245mm) - 14 7/8" (378mm) extended
 Finishes Available:
 Chrome, Brushed Satin, Bronze, Polished Brass.

266 WINDLOCK FASTENER

made from forged brass with extruded brass wedge.



Supplied with 3/4" x 7 brass screws.
 Finishes Available:
 Chrome, Brushed Satin, Bronze,
 Polished Brass.



WINDOW HARDWARE

M.J.N. McNAUGHTON LTD

PO Box 27 061, Mt. Roskill, New Zealand
 Email: mjmnaughton@xtra.co.nz

T: +64.9.620.9059
 F: +64.9.620.7585

STAYS & FASTENERS

Scale: N.T.S.

Date: 10/26/05

Page: WA18B